

# *mody* ELECTRIC SUBMERSIBLE SEWAGE PUMP

## MS 230 SERIES

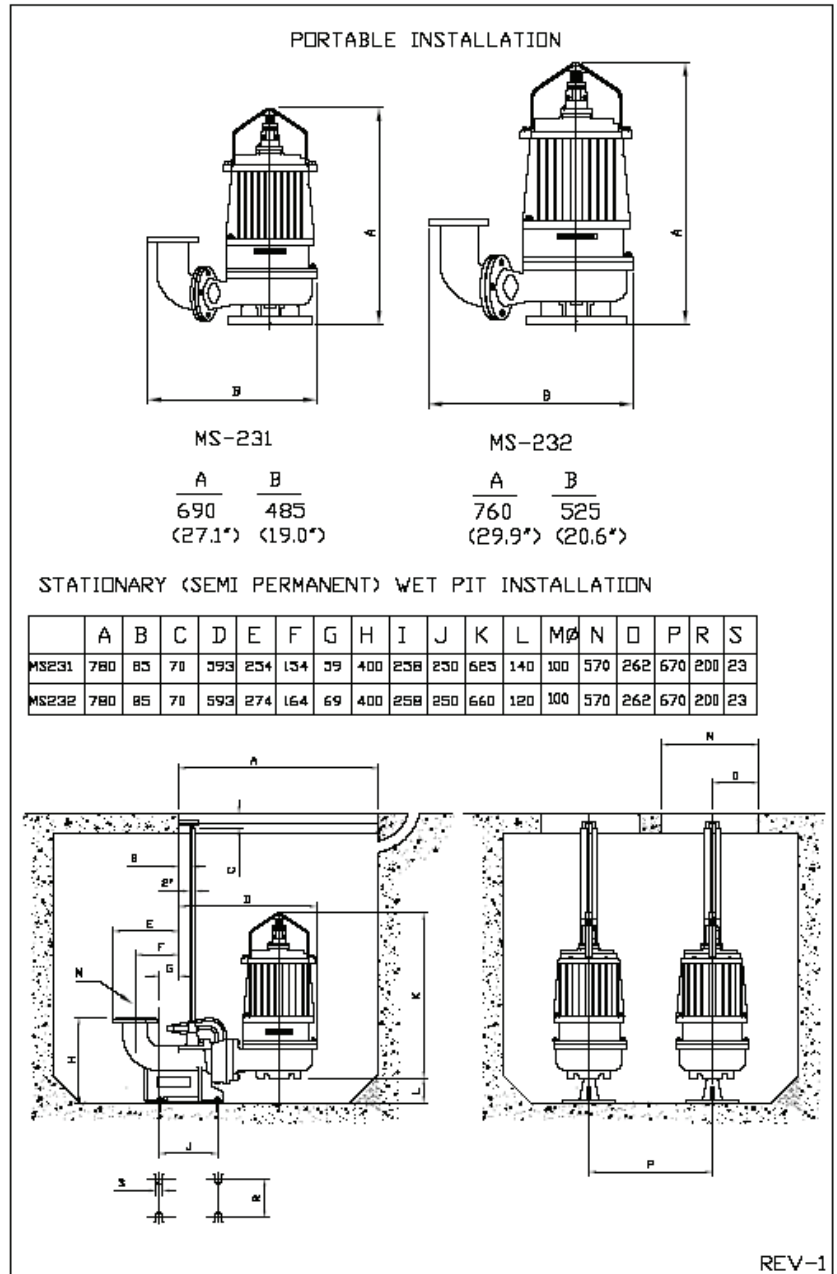
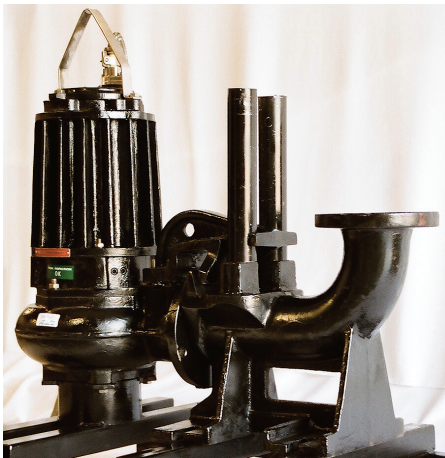
SUBMERSIBLE SEWAGE PUMPS  
FOR  
STATIONARY WET PIT  
INSTALLATION  
(P TYPE)  
AND  
MOBILE WET PIT INSTALLATION  
(S TYPE)

### Model MS 231

3" (75/80mm) Flange or Hose  
3 HP (2.2kW)  
(Med. Volume - High Head)

### Model MS 232

4" (100mm) Flange or Hose  
3 HP (2.2kW)  
(High Volume - Med. Head)

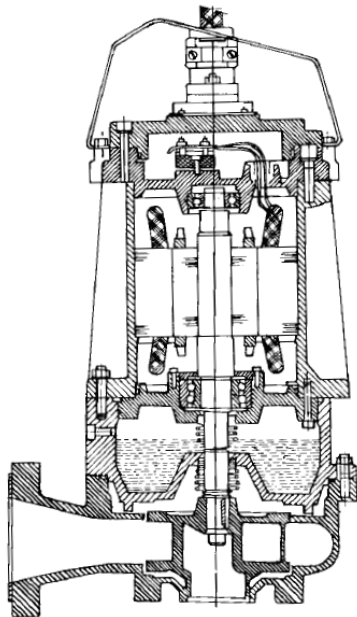


**Mody Pumps® Inc.**  
2166 Zeus Court, Bakersfield, CA 93308. USA  
Tel.: (661) 392-7600 • Fax: (661) 392-7601  
<http://www.modypump.com>  
E-mail: [sales@modypump.com](mailto:sales@modypump.com)

# mody

## ELECTRIC SUBMERSIBLE SEWAGE PUMP

### MS-230 SERIES 3HP (2.2kW)



### MS-230 SERIES

#### MATERIALS OF CONSTRUCTION AND ENGINEERING DATA

MODEL	MS 231	MS 232
HP/kW	3/2.2	3/2.2
RPM 60Hz/50Hz	3550/2900	1750/1450
Max. Amps (FLA @ 460v/400v)	5/5.8	5/5.8
Solids Handling	1.5"/38mm	3"/75 (80)mm
Weight - P Type (approx.) Lbs./Kg	320/145	341/155
Weight - S Type (approx.) Lbs./Kg	231/105	253/115
Impeller Type	Channel	Channel
Max. Temperature of Pumped Fluid:	104°F/40°C	104°F/40°C
Max. Starts/Stop Per Hour:	15	15
Max. Submergence:	33'/10m	33'/10m

#### MOTOR

2/4 pole induction **continuous rated** motor with squirrel cage rotor. Bi-metallic switches (thermals) embedded in stator winding to protect against overheating. Stator insulation class 'H' (180°C)

#### POWER SUPPLY

3 phase, 50/60 Hz, AC Supply. Available in any voltage frequency combination. (208/220/230/380/415/460/575/1000V)

#### BALL BEARINGS

The rotor shaft is carried in two ball bearings. Double row contact lower bearing is capable of carrying high thrust and radial loads. Upper bearing is a deep groove single row oversized bearing. The bearings are enclosed with high temperature grease-containing special Anti-corrosion additive.

#### POWER CABLE

Waterproof/oil proof, rubber-insulated, neoprene-sheathed copper conductor flexible cable, 50ft. (15m) length standard. Type SOOW in North America, EPR in the Middle East and HO7RN in the EU. (4 core std., 7 core optional)

#### SHAFT SEALS

Compact Tandem Tungsten Carbide/Tungsten Carbide Upper & Lower Mechanical seals minimize shaft overhang and deflection maximizing mean time between service intervals. Moisture sensor available to detect progressive seal wear.

#### HYDRAULICS

Single Channel Impellers, Hydrodynamically balanced with improved flow pattern contribute to a virtually clog-free pump.

#### COOLING

Integral cast cooling fins on motor casing with large surface area ensure efficient heat dissipation and low temperature rise. Shrink fitted stators and short shaft overhang facilitate cooling.

#### MATERIALS OF CONSTRUCTION

Casing:	Cast Iron ASTM A48 Class 30 (FG 220)
Impeller:	Cast Iron ASTM A48 Class 30 (FG 220)
Shaft:	431 Stainless Steel
Hardware:	304 Stainless Steel
"O" Rings:	Nitrile Rubber
Mech. Seals:	TC/TC (Upper & Lower)

#### SURFACE TREATMENT

Primer with Epoxy and subsequently coated with black chloric paint for maximum corrosion resistance. pH Range 6 - 11.

### PERFORMANCE CURVES

